



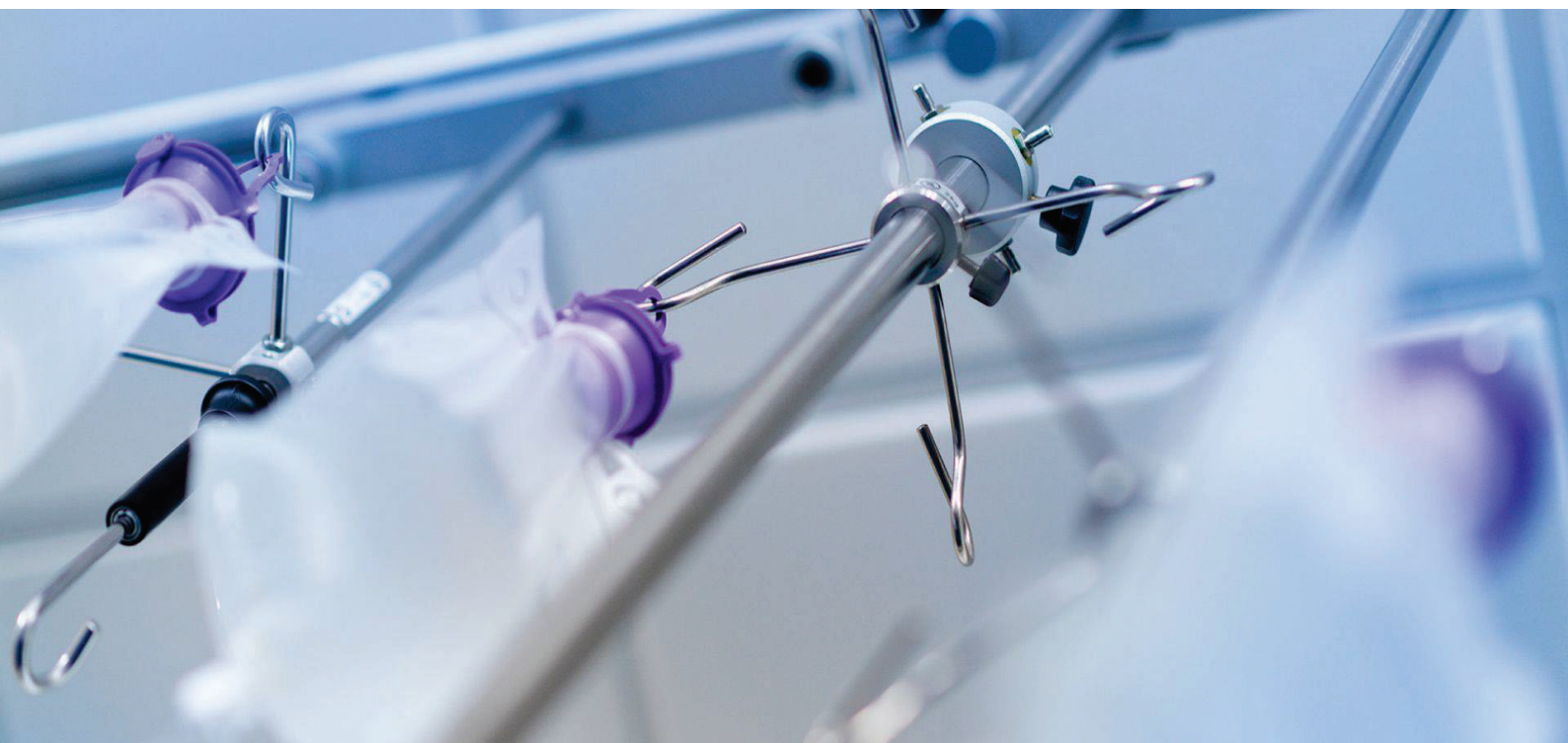
User Manual

IV stand mobile + accessories

42601239302J6_EN

13.12.2022

V002



1	General information	3
1.1	Notes and their meaning	3
1.2	Information on the instructions for use.....	4
1.3	Intended use.....	4
1.4	Liability and warranty	4
1.5	Identification plate.....	5
2	Safety information.....	6
3	Assembly.....	7
4	Operation	16
4.1	Single-handed height adjustment	16
4.2	Screw hight-adjustment	16
5	Cleaning and maintenance	17
6	Maintenance and care	18
7	Environmental conditions	18
8	Maintenance history.....	19
9	Service life.....	20
10	Service	20
11	Technical data	20

1 General information

1.1 Notes and their meaning

⚠ DANGER

This symbol in conjunction with the signal word "Danger" indicates an imminent danger. Failure to observe the safety instruction will result in death or serious injury.

⚠ WARNING

The symbol in connection with the signal word "Warning" indicates a possibly dangerous situation. Failure to observe the safety instruction may result in death or serious injury.

⚠ CAUTION

The symbol in connection with the signal word "Caution" indicates a possibly dangerous situation. Failure to observe the safety instruction may result in minor or slight injuries. It may also be used for property damage warnings.

NOTICE

The symbol indicates a possibly harmful situation.

Failure to observe the safety instruction may result in damage to or destruction of the product and/or other system parts.

NOTE

Here you can find information or references.

1.2 Information on the instructions for use

The product is a technical aid. It needs to be explained, requires regular care, and involve risks in the event of improper use.

It is therefore necessary to learn proper handling.

These instructions for use are intended to help you familiarize yourself with the handling of the product as well as avoid accidents.

1.3 Intended use

The products from the IV stand product group are used for hanging infusion and nutrient solutions in bag or bottle form. The infusion delivery speed is influenced by instructions from the physician according to medical considerations by adjusting the relative hanging height accordingly.

Depending on the design, it is possible to attach medical devices to the stationary part of the IV stand (on the outer tube).

1.4 Liability and warranty

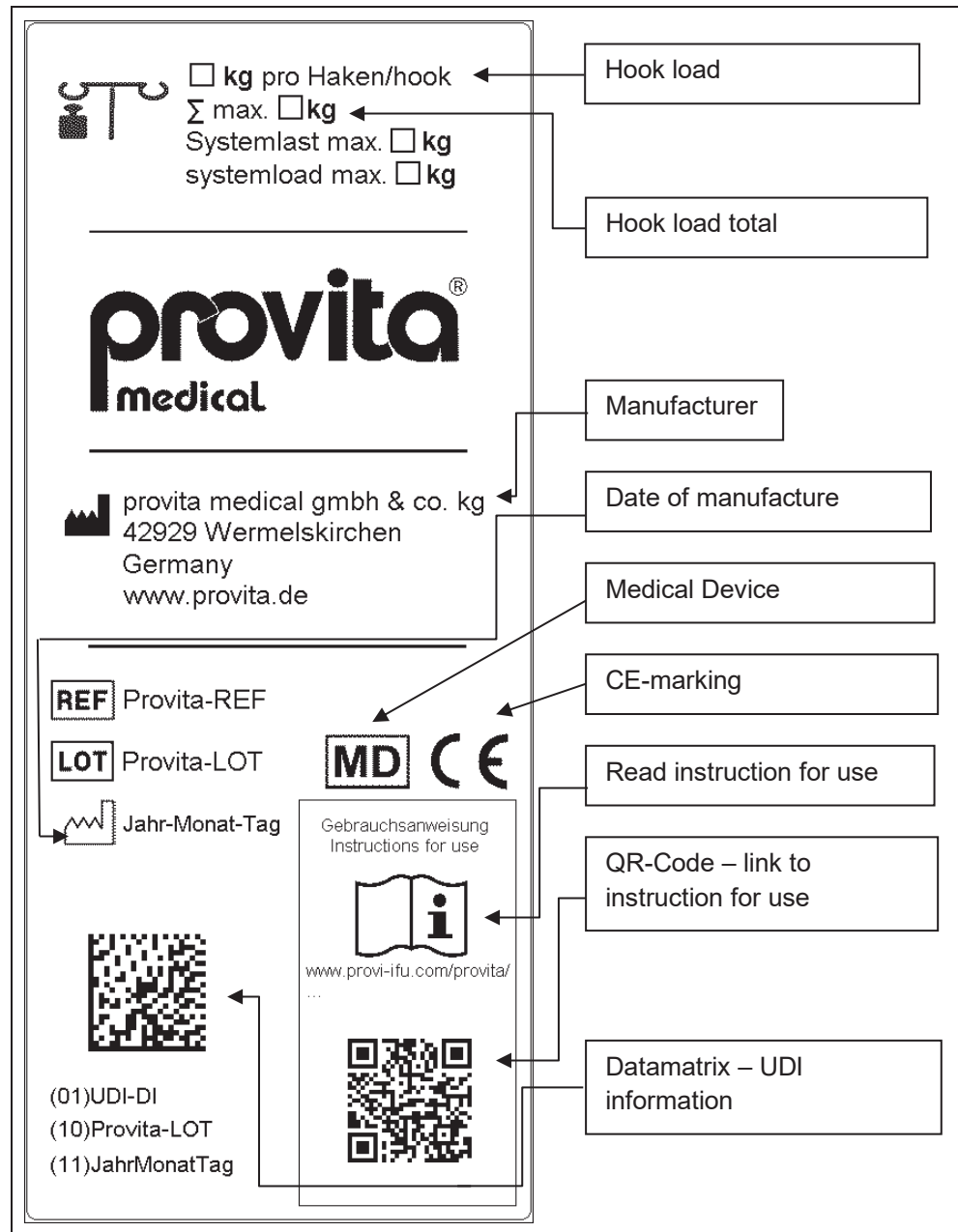
The statutory warranty applies for this product within the scope of our general terms and conditions.

All data and information are supplied based on our previous experience and findings to the best of our knowledge. We reserve the right to make technical changes in line with further development.

NOTICE

We accept no liability for any damage caused by failure to observe this user manual.

1.5 Identification plate



NOTE

The operating instructions can be accessed in digital form by scanning the QR code on the type plate.

Blind and visually impaired users can download the operating instructions in digital form from the Provita homepage by scanning the QR code on the type plate and have them read aloud with their software.

2 Safety information

DANGER

The product may only be assembled, handled and used by trained personnel. This requires careful observation of the information for safety. If the system is operated improperly, this may result in hazards to persons and objects!

DANGER

To avoid hazardous situations, it is necessary to practice handling the IV stand.

- Prior to using the IV stand, **check that all attached parts are properly secured and not damaged.**
- To move the IV stand, the locking casters must be released and the stand must be guided by hand! Particular caution is needed when moving the stand over obstacles, soft floor coverings, and inclines. **The extension tube of the stand must be fully retracted.**
- The tilt resistance (stability) is guaranteed up to a 5° incline. However, never park the IV stand on sloped surfaces!
- **The information on the max. system load of the IV stand, the load per hook, and the max. load of the bottle holder can be found on the identification plate on the IV stand.**
- It may be possible to secure additional loads, for example, devices, to the outer tube. The permissible system load can be found on the identification plate. (Please also observe the additional information from the device manufacturer)
- Handle the IV stand carefully when it is fully loaded since it may tip!
- Only use accessories approved by the manufacturer.

NOTICE

The manufacturer accepts no liability for damage caused by insufficient maintenance or by failure to comply with the following instructions.

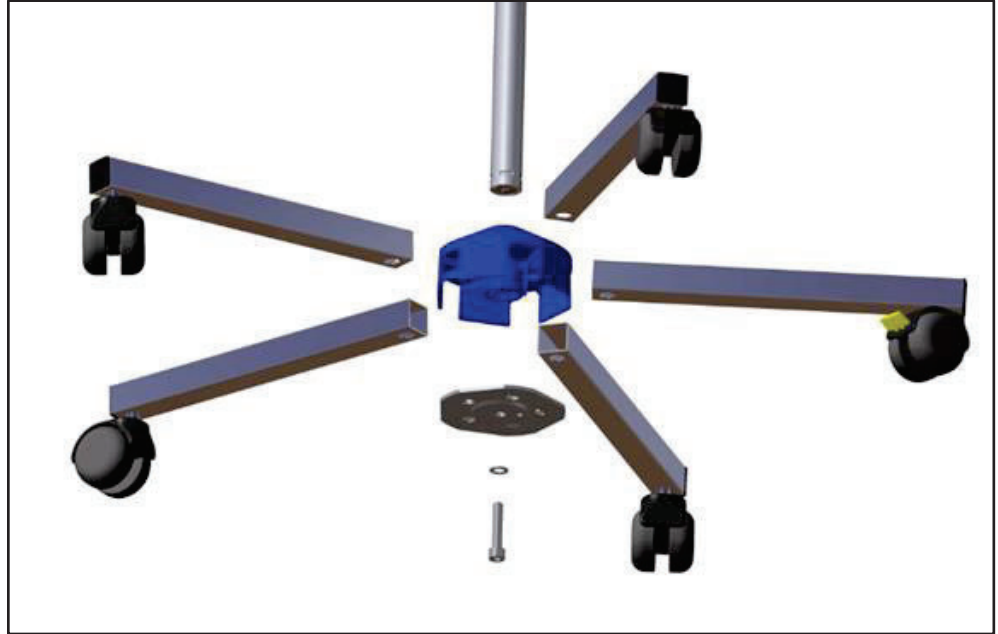
Compliance with the user manual and the maintenance instructions is an essential part of the validity of the warranty.

Obligation to report serious incidents

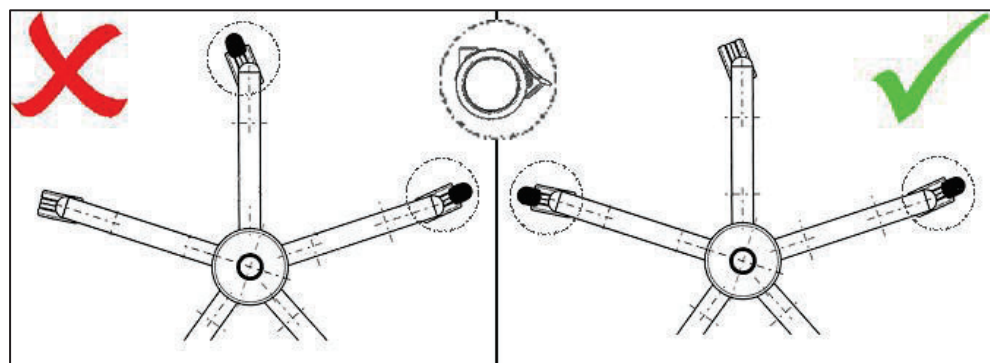
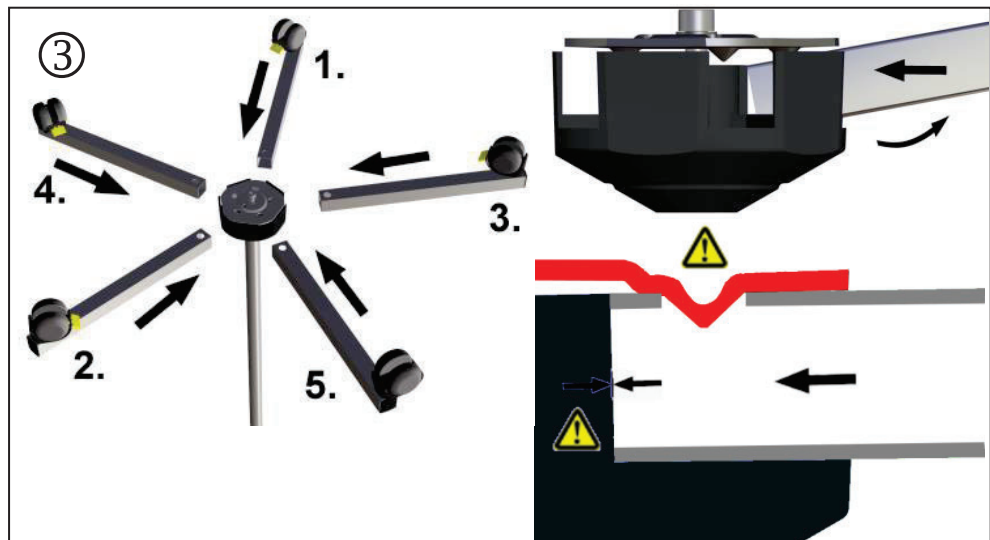
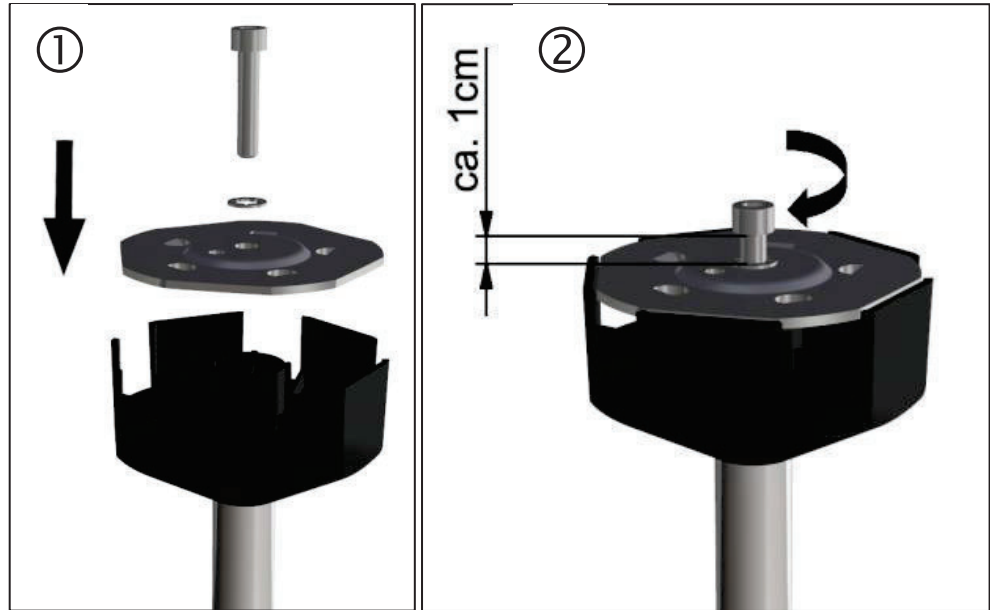
All serious incidents that have occurred in connection with the product must be reported to the manufacturer and the relevant competent authority in accordance with the reporting deadlines of the MDR.

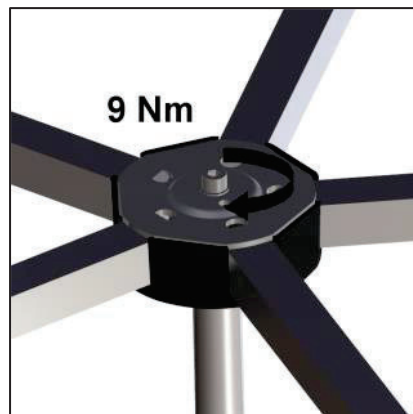
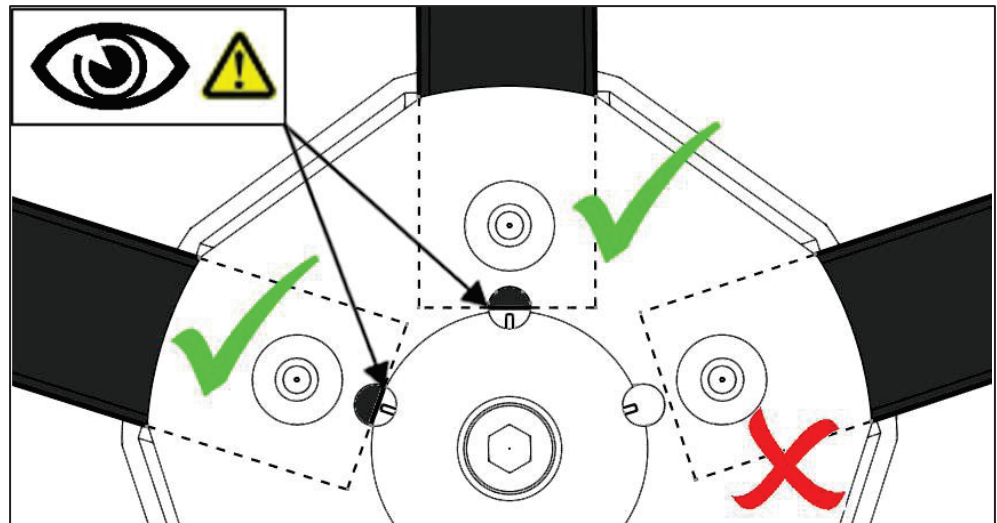
3 Assembly

I-N



Assembly Base I-N





I-H



I-I



I-L



I-O



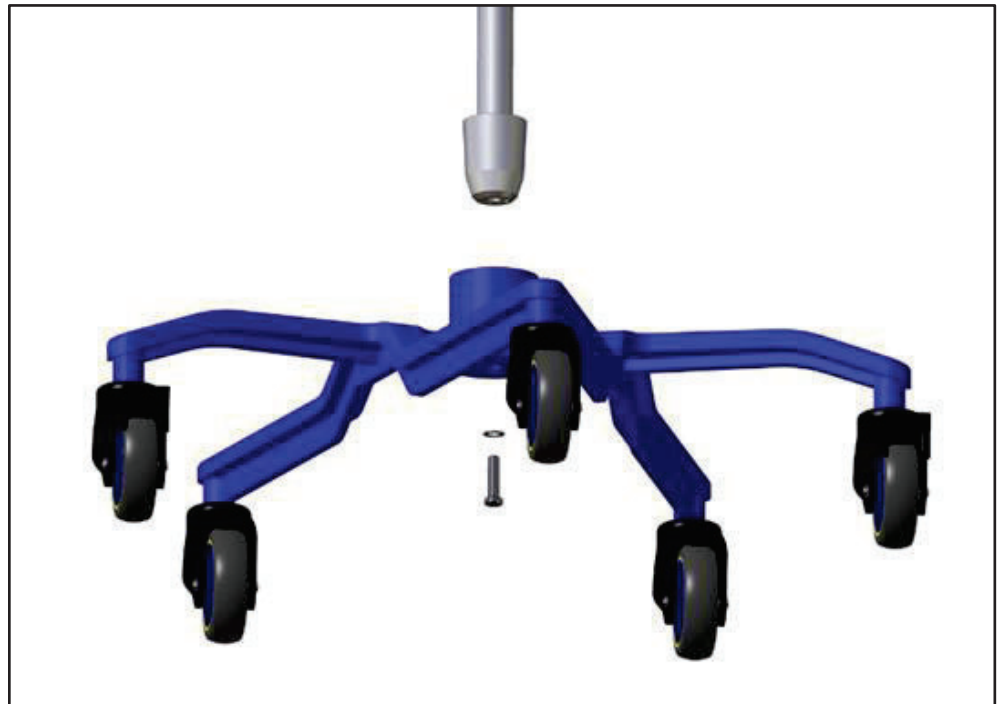
I-U



I-S ECO-MOVE



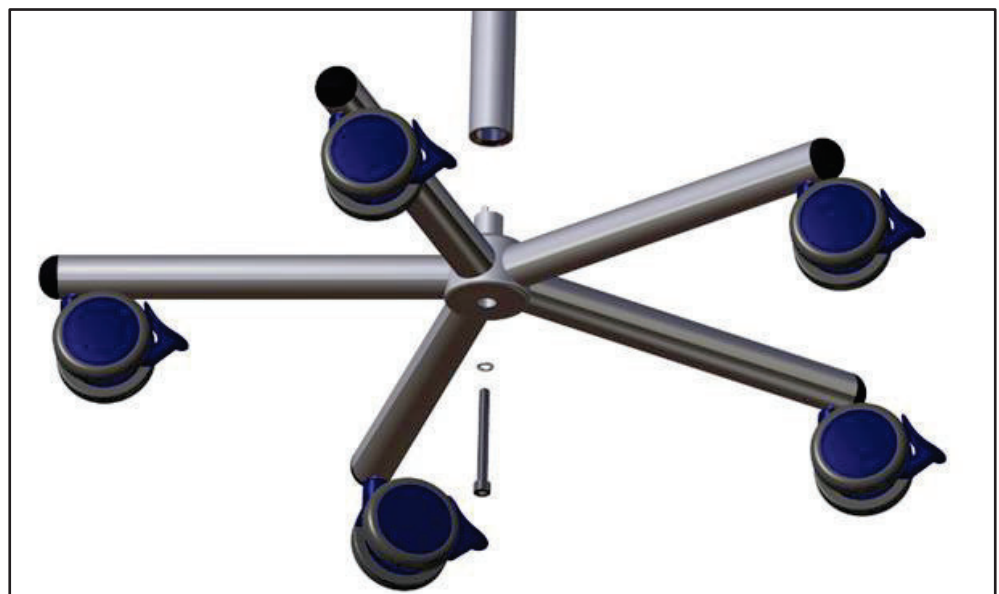
I-S ECO-SPACE



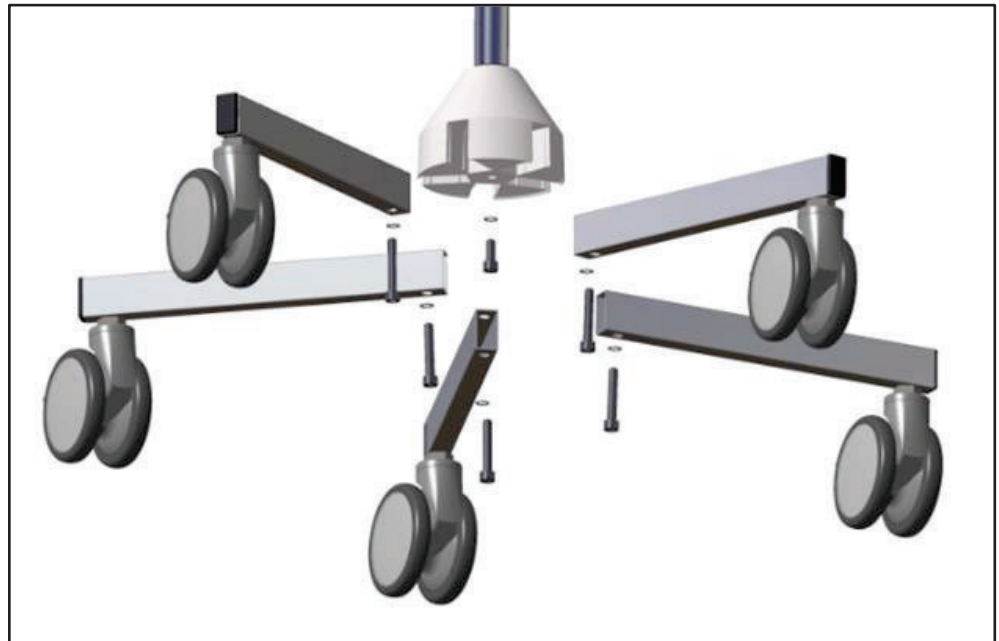
I-PRE



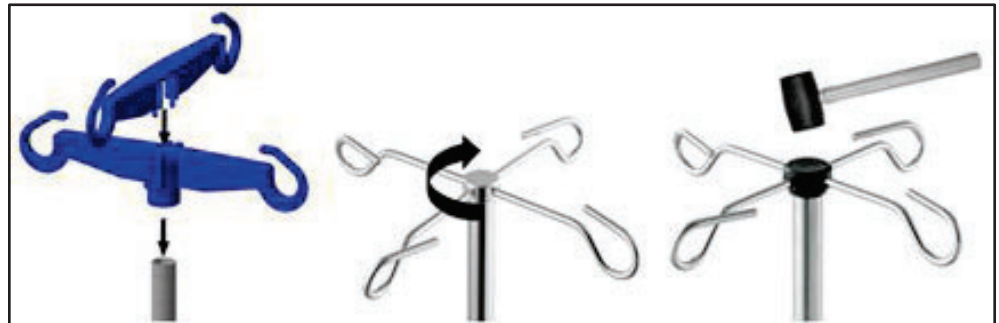
I-OPRE



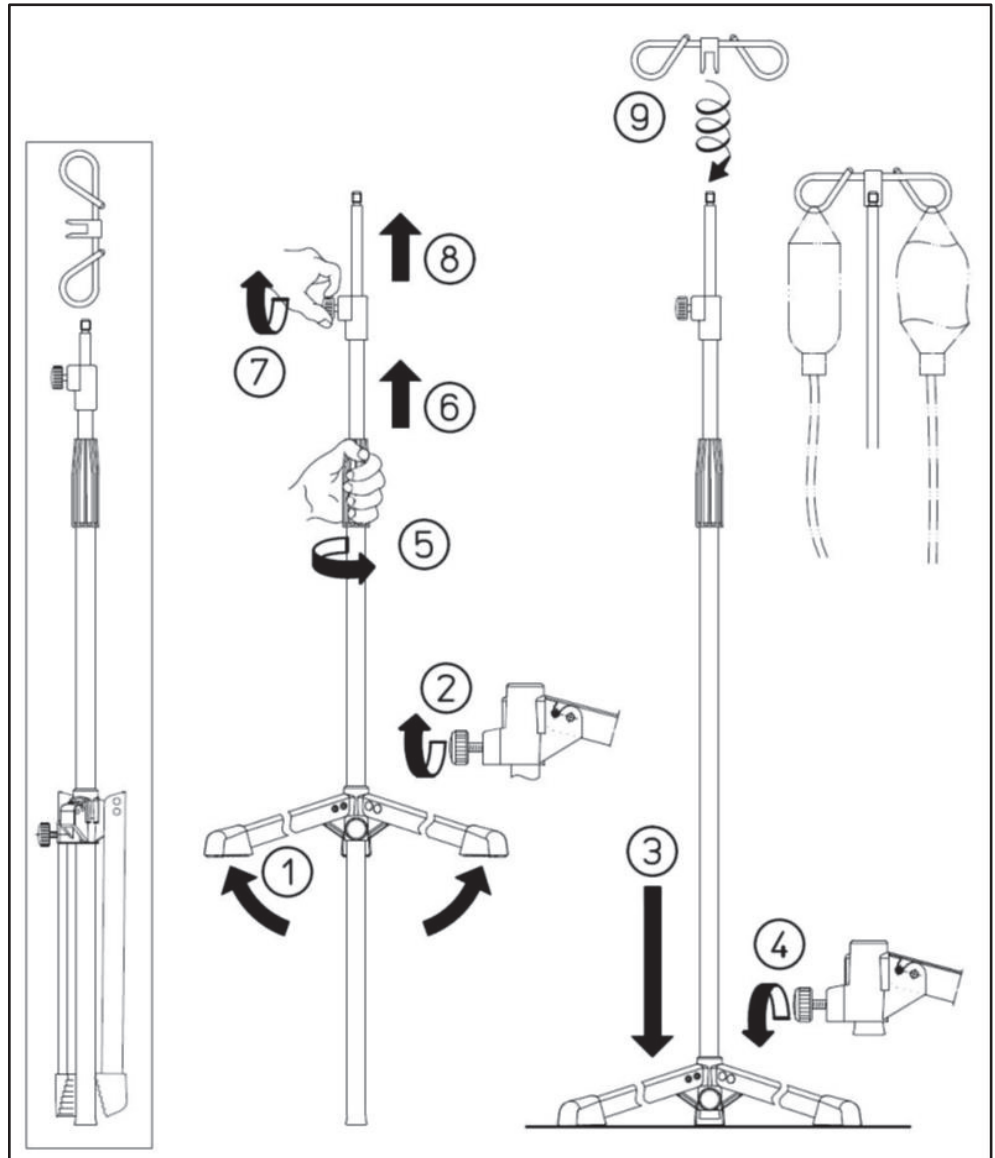
I-D / I-PO / I-PA / I-PB



Mounting bottle cross



I-H84132



4 Operation

4.1 Single-handed height adjustment



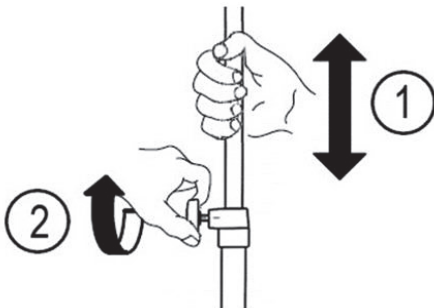
For adjustment of the inner tube the re-lease ring needs to be lifted with the thumb.

When removing the thumb from the ring the inner tube is automatically fixed at the re-quested position.

⚠ CAUTION

When the IV-pole is loaded, the inner tube lowers when the actuation ring is triggered.

4.2 Screw height-adjustment



Please do hold the upper tube ①, when releasing the adjustment screw ② for adjusting the tube. Position the tube into the required height and do tighten the adjustment screw. Do not release the upper tube until the clamping force is sufficient for the requested use. Please do not forget to include the additional weight of the infusion bottles.

⚠ WARNING

Risk of eye injury. Keep a safe distance from the bottle hooks!
Risk of crushing fingers or hands by operating the height adjustment!
Risk of uncontrolled lowering of the load by actuating the height adjustment!

5 Cleaning and maintenance

ATTENTION

Liquids containing chloride (e.g., blood, physiological saline solutions) must be removed to avoid rust formation. After removal, clean with water to completely remove residues.

ATTENTION

Observe the application instructions of the detergent and disinfectant manufacturer, as well as the currently valid hygiene regulations.

ATTENTION

Non-pH-neutral and chemically active disinfectants can lead to surface and material damage depending on the exposure time and "aggressiveness" (pH value, chemical reactivity, aggressiveness of solvents).

Therefore, the following products / ingredients should not be used for cleaning and disinfection:

- solvents containing hydrocarbons (petrol, thinner). These can damage coatings and plastics.
- Agents with an alcohol content of more than 10 %. These can damage coatings and plastics.
- Strong acids or alkalis
- Halogenides or halogen-releasing compounds (chlorine, bromine, iodine). These can also cause corrosion on stainless steel.
- Products that scratch the surface (e.g., scouring agents, wire brushes, steel wool), water containing iron particles, cleaning sponges and liquids containing hydrochloric acid.

NOTICE

Do not use any mechanical cleaning and disinfection procedures (washer system, pressure washer)

6 Maintenance and care

The product must be checked annually by qualified staff regarding the correct function of the device:

Further information regarding Maintenance history can be found on page 19.

In case that a component of the device is damaged, it must be replaced only with original parts by a trained specialist. Contact the manufacturer or your local distributor for more information.

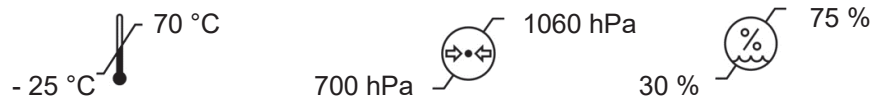
Dispose the device according to the local and national regulations.

Apart from the transport and stock-keeping conditions below, no special measures are required for storing the product. Before returning to service after an extended period of non-use, the product should be inspected according to the maintenance plan/checklist.

7 Environmental conditions

For transport and stock-keeping the following stock-keeping conditions have to be heeded:

Temperature: - 25 bis 70 °C
 Humidity: 30 – 75%
 Atmospheric pressure: 700 – 1060 hPa



At application you have to assure the ambient temperature from 10 °C to 40 °C.

8 Maintenance history

The operator is obligated to regularly examine the system.

If one of the points is assessed negatively, the affected component must be immediately taken out of service.

Please confirm with your signature the inspection performed (with positive result) of the following points:

Intactness		Function		Completeness	
The IV stand should be checked at least once annually with regard to the full functioning of all components.		The function of the bottle hooks. The function of the height adjustment. Clean the rollers to remove any soiling so that the brakes function and the electrical conductivity is not reduced.		If a defect is identified, only original spare parts may be used and they may be replaced only by a technical specialist or customer service.	
Date	Signature	Date	Signature	Date	Signature

⚠ DANGER

If there is a problem regarding one or more points, safe operation is no longer guaranteed and suitable measures must be taken to avoid errors.

The system may NOT be used if proper function is not ensured.

9 Service life

The product is expected to have a service life of 7 years, assuming that it is only used for its intended purpose and is subject to regular and correct maintenance.

The service life largely depends on the frequency of use, the operational environment, and upkeep.

The service life of the product can be extended by using original spare parts. For more information, contact the manufacturer or the distributor.

The service life indicated does not constitute an additional warranty.

10 Service

Please contact the manufacturer or the local distributor if you have any questions about the product, if a repair is due, or if you require information regarding service partners.

Address data is provided at the end of this manual.

11 Technical data

Type plate	on the product
Service life	7 years



provita medical gmbh & co. kg
 Auf der Huhfuhr 8
 42929 Wermelskirchen
 Germany

Phone +49 2193 5105-0
 Fax +49 2193 5105-269

www.provita.de
info@provita.de